

**The
Perry
Company**



WE BUILD NECESSITIES, NOT ACCESSORIES.

7030114

&

7030114T



THE PERRY COMPANY
WWW.PERRY-CO.COM

500 S. VALLEY MILLS DRIVE
WACO, TX 76711
PHONE: 800-755-4269
FAX: 254-756-2166

Installation Instructions:
7030114 (Clear) & 7030114T (Tinted)
With Mechanical Fastening System
Replacement Windshield Fits: 2019 – 2023 Kubota KX080-4

Hardware Kit:

- 14 - 1/4" x 1/2" Hex Bolts
- 14 - 1/4" Flat Washers
- 14 - 1/4" x 1/2" x 5/16" Binding Barrel Nuts
- 1 - 1/4" x 8' Foam Tape

Components:

- 1 - Bottom Retainer (7030114 A)
- 1 - Driver Retainer (7030114 B)
- 1 - Top Retainer (7030114 C)
- 1 - Passenger Top Retainer (7030114 D)
- 1 - Passenger Bottom Retainer (7030114 E)



7030118 A



7030118 B



7030118 C



7030118 D



7030118 E

Step 1: Remove Wiper Arm and Wiper Motor

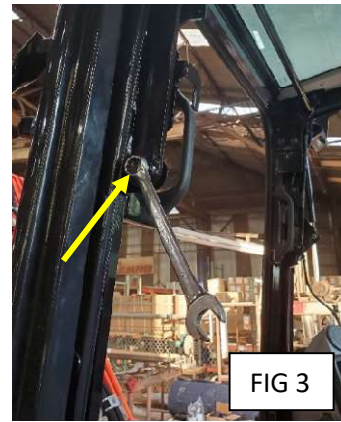
With a marker, mark the wiper arm and shaft for orientation purposes when reinstalling. Remove wiper arm from the unit. Remove the large nut from shaft of wiper motor. From the inside of the cab, remove the wiper motor cover. Unplug the electrical connector and remove the three (3) bolts attaching the wiper motor to the windshield frame. Remove wiper motor.

Make sure to keep all of the OEM hardware until the end of the project because all of the OEM hardware will be reused.

Step 2: Remove Windshield with Frame from Unit

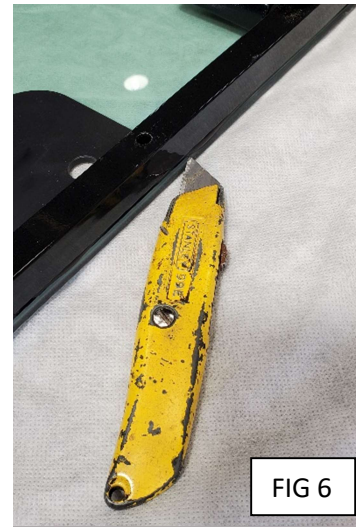
With the windshield in the “open” position (approx. 15 degrees as shown in **FIG 1**), remove the hinge pin from the passenger side of frame (**FIG 2**). Push windshield forward to the “closed” position and lock into place. Remove the hinge pin from the driver side (**FIG 3**). Unlatch the windshield frame. Firmly grabbing both inner handles of the windshield, lift upward and to the outside of the unit to remove the frame from the unit (**FIG 4 & FIG 5**). Place windshield on a clean working surface.

***Be careful to not lose the (2) Guide Rail Rollers from bottom of the frame (FIG 4).**



Step 3: Remove the Glass from the Windshield Frame

Use a **Cold Knife**, Utility Knife or similar apparatus to remove the glass from the windshield frame by cutting through the windshield adhesive as shown in **FIG 6**.



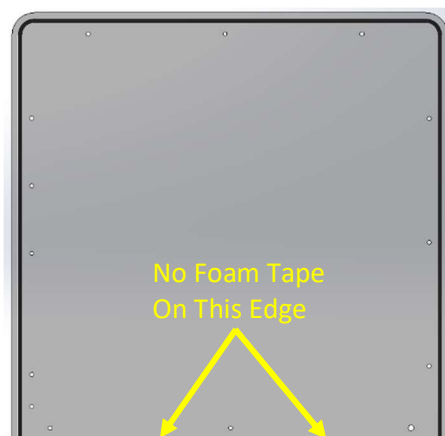
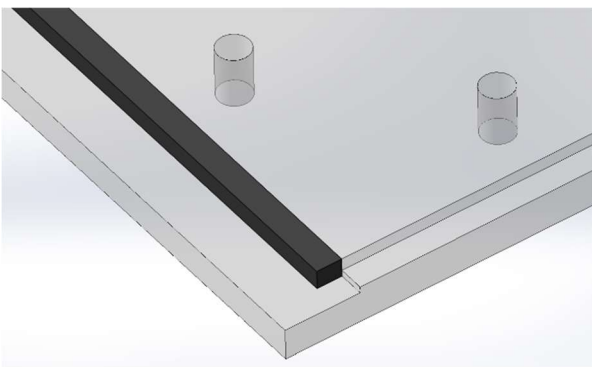
Step 4: Remove adhesive from the Windshield Frame

After the glass is removed from the windshield frame, use a utility knife or similar apparatus to remove any leftover adhesive from the windshield frame. The windshield frame needs to be clear of any obstructions between the windshield frame and the polycarbonate replacement windshield.

Step 5: Adhere 1/4" Foam Tape to the Polycarbonate Windshield

Peel back 3-4 inches of the foam tape backing and place into the corner of the cut-out section of the windshield (as shown below) starting on the driver side bottom of windshield. Run your finger along the foam as it is set into place to ensure proper adhesion. Adhere about 3-4 inches at a time as you work your way around the three (3) sides of the windshield. Trim any excess foam tape with a utility knife.

NOTE: There is NO foam tape across the bottom of the windshield.



Step 6: Apply Clear RTV Silicone to the Door Frame (Exterior Face)

Now that the windshield frame is clean and clear of obstructions, apply a thin bead of Clear RTV Silicone around the exterior face of the door frame. This bead should be located between the polycarbonate and the door frame after the polycarbonate is installed. Either Clear RTV Silicone shown below is recommended.

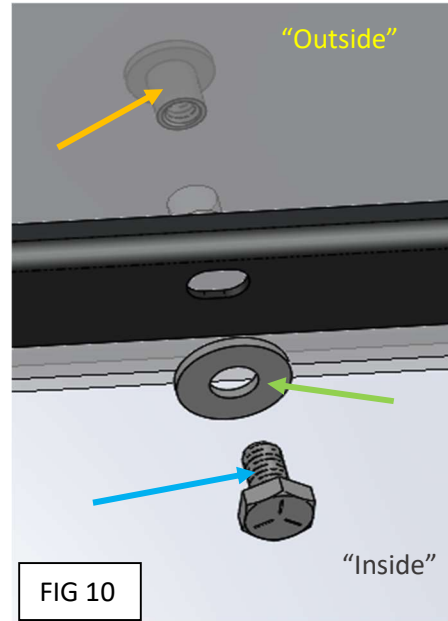
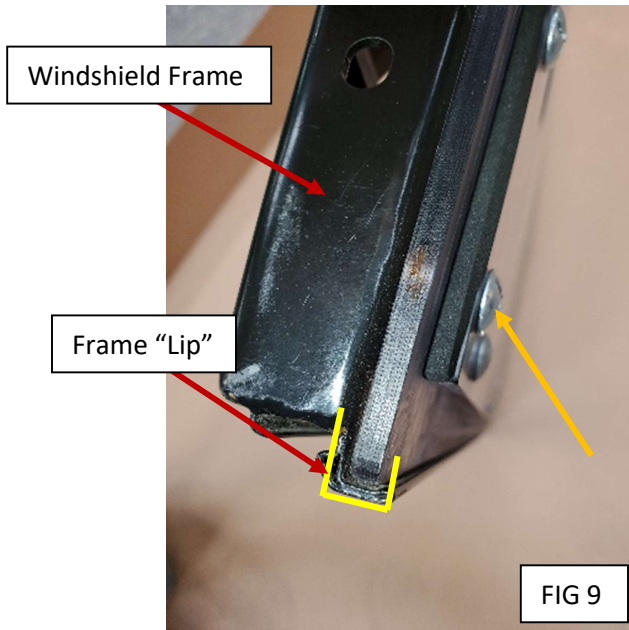


Step 7: Position the Polycarbonate Replacement Windshield on the Windshield Frame and install Bottom Retainer

Now that the windshield frame is clean and clear of obstructions and Clear RTV Silicone has been applied, align the bottom of the polycarbonate windshield replacement (and centered side to side) on the interior of the windshield frame and clamp as shown in [FIG 7](#) and [FIG 8](#). Be sure to rest the bottom part of the windshield onto the **bottom "lip" of the frame** as shown in [FIG 9](#). Using (3) 1/4" x 1/2" x 5/16" Binding Barrels, (3) 1/4" Flat Washers and (3) 1/4" x 1/2" Hex Bolts install the Bottom Retainer as shown in [FIG 10](#).

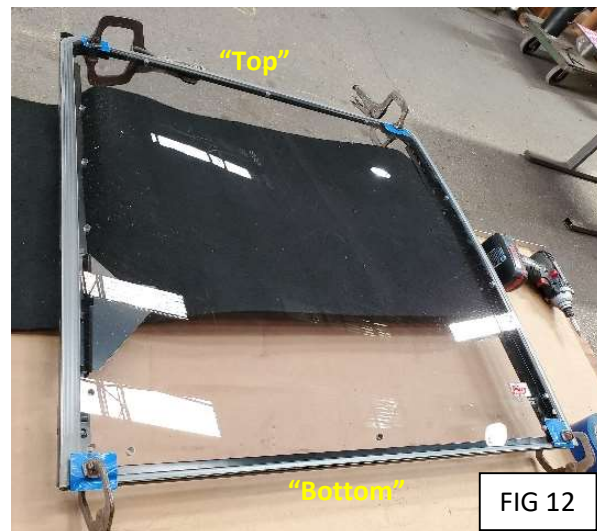
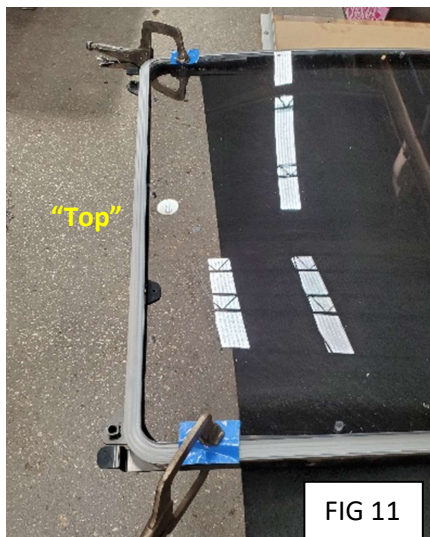


Step 7 : (continued)

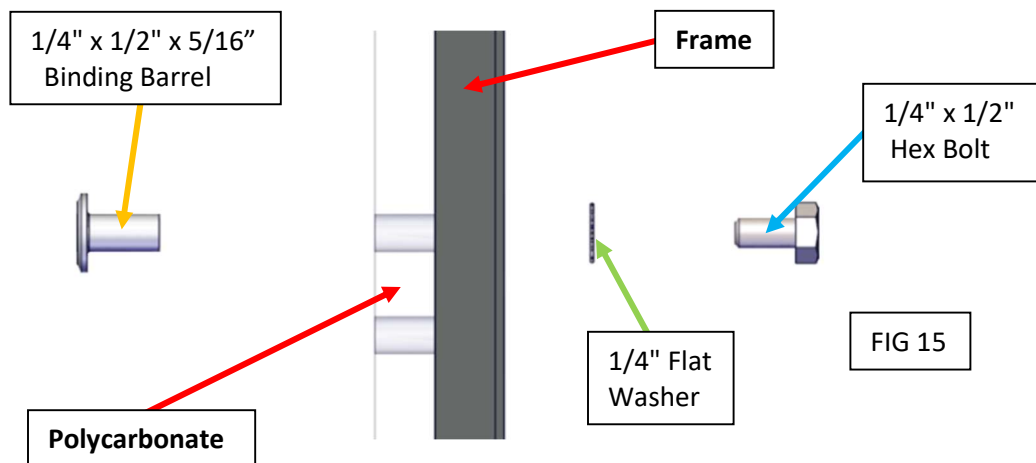
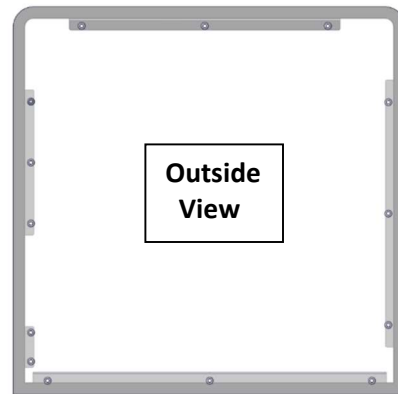
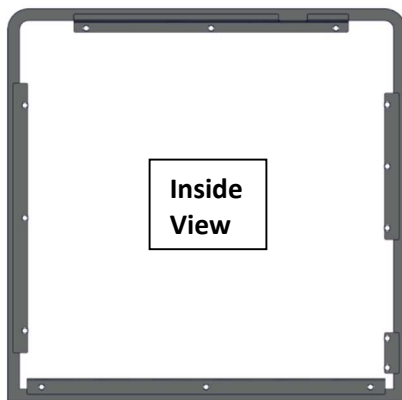
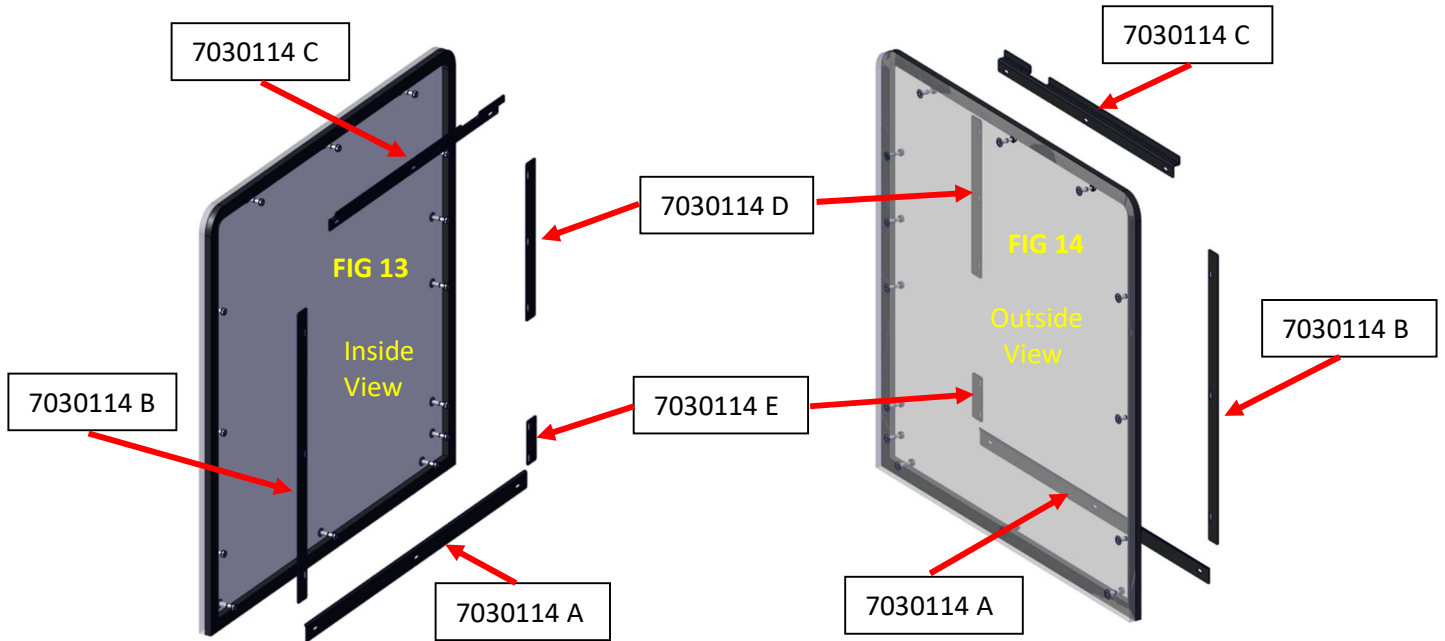


Step 8: Install Side and Top Retainers

Now that the Bottom Retainer is secured into place, pull the "Top" of the polycarbonate onto the Frame and secure with clamps as shown in [FIG 11](#) and [FIG 12](#). Using (11) [1/4" x 1/2" x 5/16" Binding Barrels](#), (11) [1/4" Flat Washers](#) and (11) [1/4" x 1/2" Hex Bolts](#), install the remaining Retainers at the locations shown in [FIG 13](#) and [FIG 14](#). Refer to [FIG 15](#) for hardware order. After tightening all of the hardware, remove the clamps.



Step 8: (continued)



Step 9: Reinstall Windshield and Frame onto Unit

Install the windshield frame and poly by tilting at an angle and inserting the guide rollers into the guide rail track as shown in **FIG 16** and **FIG 17**. Push forward to the closed and “locked” position. Install the hinge pin on the driver side as shown in **FIG 18**. Unlock windshield and open to approx. 15 degrees and insert the hinge pin on the passenger side as shown in **FIG 19**.



Step 10: Reinstalling Wiper Motor and Wiper Arm

Reinstall the Wiper Motor and Wiper Arm in reverse order of Step #1. Use all of the factory hardware that was saved previously during this step.

Now that this install is complete, open and close the windshield to verify that it operates properly. Be sure that the windshield has a good seal in the closed position.

*****Only use a mixture of Dawn (or similar) dish soap and water to clean polycarbonate*****